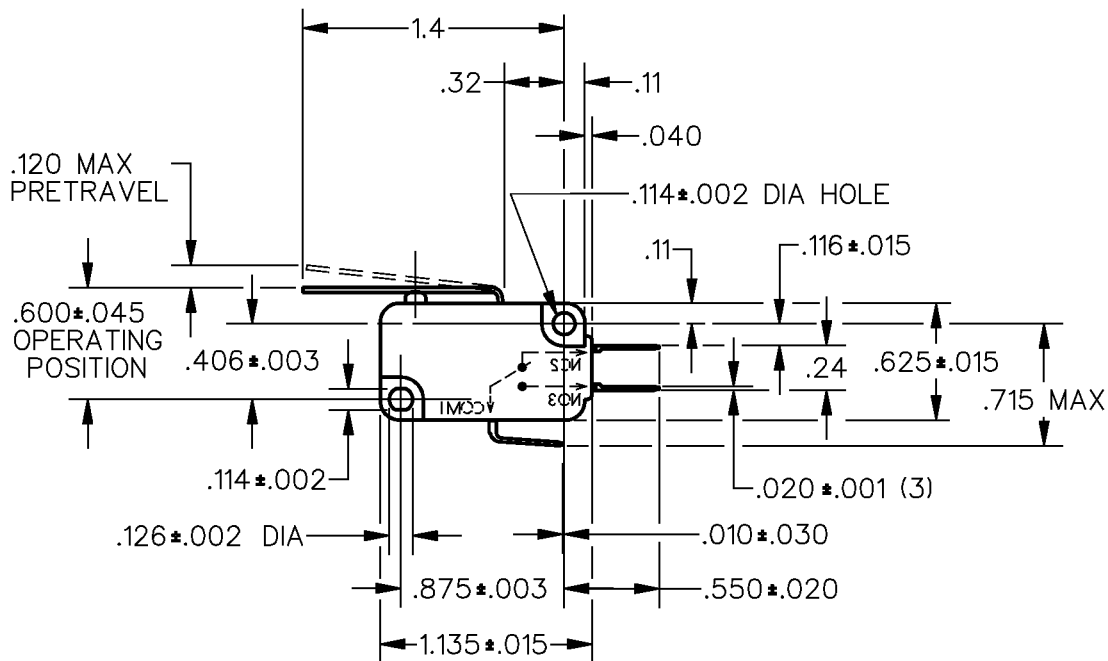
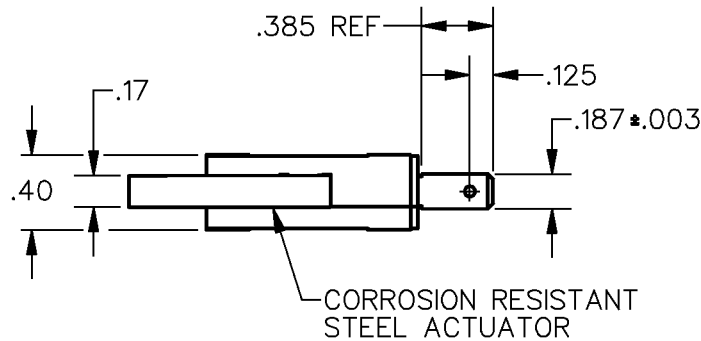
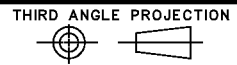


CATALOG LISTING
V7-1S17D8-022
 PAGE 1 OF 1
 RELEASE NO. PR-18499
 REPLACES
 CHECK
 ISSUE **M**
 5



- NOTES
 1 - IN INSPECTION, DO NOT BURN OUT - GOLD CONTACTS
 2 - IN INSPECTION, DO NOT EXCEED 10 VDC, .1A RESISTIVE LOAD

THIS DRAWING COVERS A PROPRIETARY ITEM AND IS THE PROPERTY OF MICRO SWITCH, A DIVISION OF HONEYWELL. THIS DRAWING IS NOT TO BE COPIED OR USED WITHOUT THE APPROVAL OF MICRO SWITCH.



REVISIONS
 A CO-76416 J A L 30 NOV 93
 B CO-77116 DCS 31 MAR 94
 C CO82776 J A F 5 APR 96
 D CO-93311 TSM 22 OCT 98
 CHECK
 W L S 13 AUG 90
 W J C 27 AUG 90
 FORMTEK
 DRAWN

CHARACTERISTICS	ELECTRICAL DATA	SCALE	FULL	DO NOT SCALE PRINT
OPERATING FORCE-----85 GRAM MAX	CONTACT ARRANGEMENT S P D T	ONE PLACE	(.0)	±.030
RELEASE FORCE -----8 GRAM MIN	0.1A 125 VAC L142	TWO PLACE	(.00)	±.015
DIFFERENTIAL TRAVEL-----.030 MAX		THREE PLACE	(.000)	±.005
OVERTRAVEL-----.085 MIN		ANGLES		±
RELEASE TRAVEL -----.017 MIN		WEIGHT		